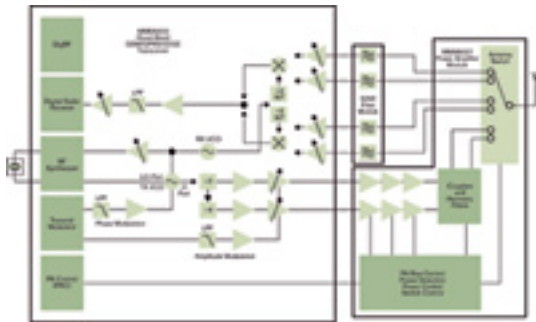


RF Subsystem



Freescle introduces its quad-band GSM/GPRS/EDGE RF subsystem for world phones. The subsystem minimizes the amount of factory calibration with the company's polar architecture. This highly integrated subsystem consists of the MMM6000 transceiver and the MMM6027 power amplifier front end module. Combined, these two components provide an antenna-to-bits radio in a board space of less than 250 mm². The products constitute a DigRF compliant radio allowing for flexibility in pairing the RF subsystem with any semiconductor company's baseband. The MMM6000 polar EDGE transceiver provides full DigRF to analog RF functionality in a 9 × 11 mm package. Designed to support the MMM6000 transceiver, the MMM6027 is a member of Freescle's fourth generation of front end modules, and comes in a 8 × 8 mm package.

Freescle Semiconductor

Source URL (retrieved on 01/30/2015 - 7:30pm):

<http://www.wirelessdesignmag.com/product-releases/2005/04/rf-subsystem>